

WHEEL EXTENSION KIT – 795713

Assembly and Installation



WARNING: AVOID INJURY. Read and understand the entire *Safety* section before installing and using accessories.

SAFETY RULES

- Always wear gloves when handling accessories.
- Remove load from unit before installing wheel extension kit.
- Install wheel extension kit on front wheels.
- If inner wheel is removed during installation it will be necessary to deflate the tires to reinstall.

Installation

1. Check front tire and kit tire pressures. See *Tire Pressure* on page 8.
2. Remove one wheel lug nut and retain.
3. Install one extension on stud (see Figure 18). Tighten to finger tight or slightly loose. Repeat for remaining wheel studs on one side of unit. Do not fully tighten.

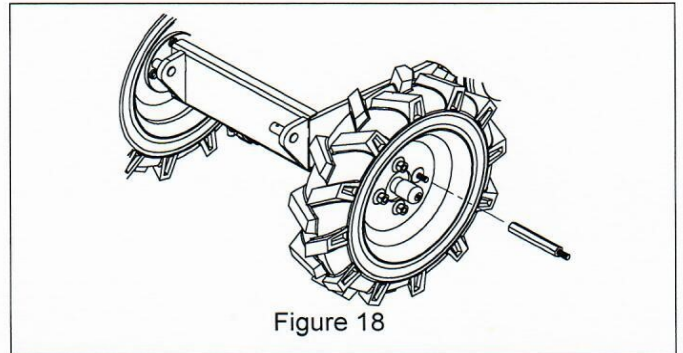


Figure 18

4. Install outer wheel onto extensions. Make sure that tire tread faces same direction as existing tire (see Figure 19).
5. Install wheel lug nuts and tighten finger tight.

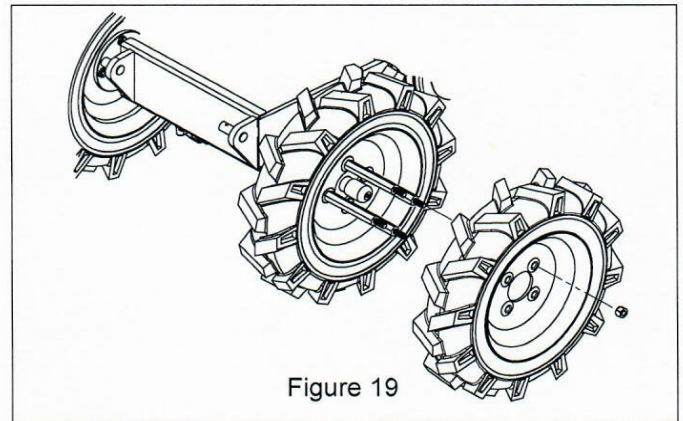
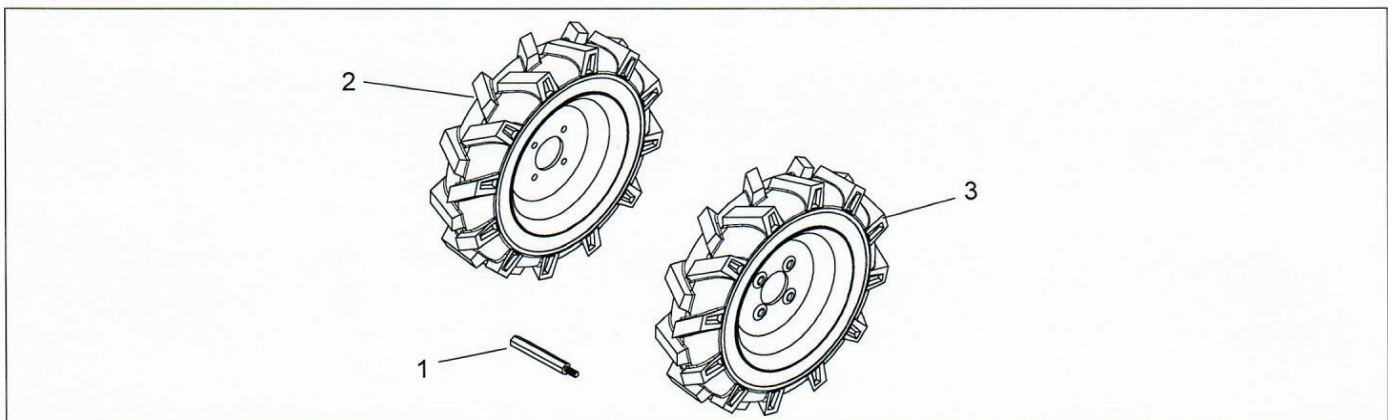


Figure 19

6. Using an open-ended wrench, tighten inner extensions to 35 – 45 lbf-ft.
7. Tighten outer wheel lug nuts to 35 – 45 lbf-ft.
8. Repeat steps 2 – 7 on other side.

Parts List



Item	Part No.	Qty.	Description
1	03769500	8	Extension, Double Wheel
2	03737101	1	Wheel Assembly, Right Hand
3	03737102	1	Wheel Assembly, Left Hand